

Webster®

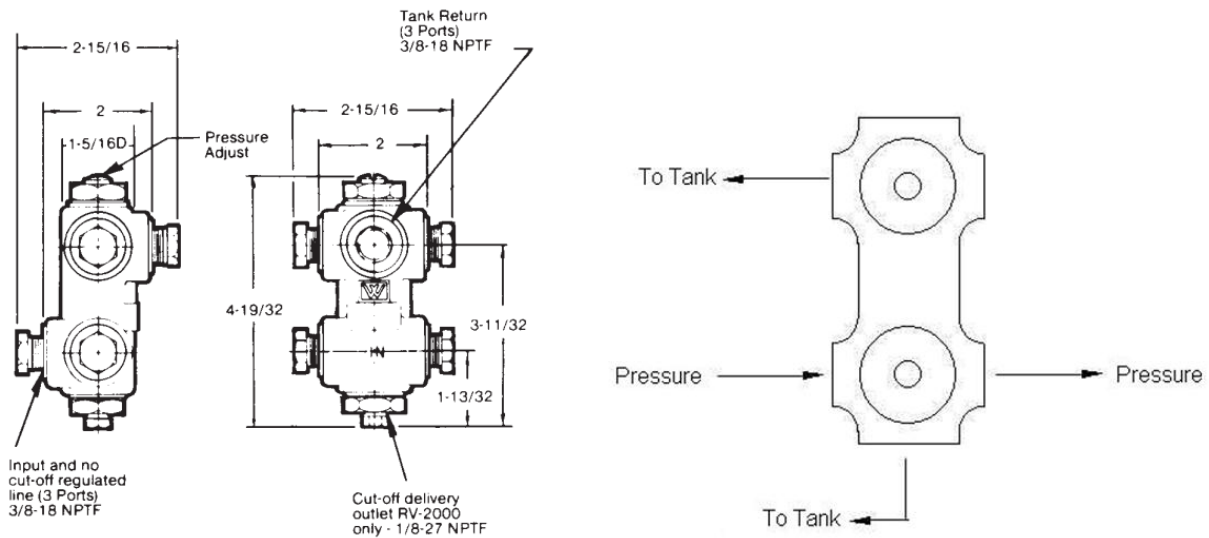
Fuel Pumps & Valves

Webster Fuel Pumps & Valves
219 Hahn Drive
Frankfort, Ky. 40601
www.websterfuelpumps.com



Relief Valve Installation

RV-2000
RV-2100



The RV-2000 series regulating valve can also be used as a relief valve. Designed to provide system pressure relief for #1 through #6 fuel oil grades and for rated pressure ranges of 0 to 500 psi. @ 150 gph or less. The following adjustment ranges are available. 100-330 psi. use RV-2002, 10-25 psi. use RV-2003, 40-110 psi. use RV-2004. Pipe as configured