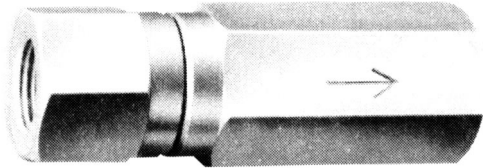
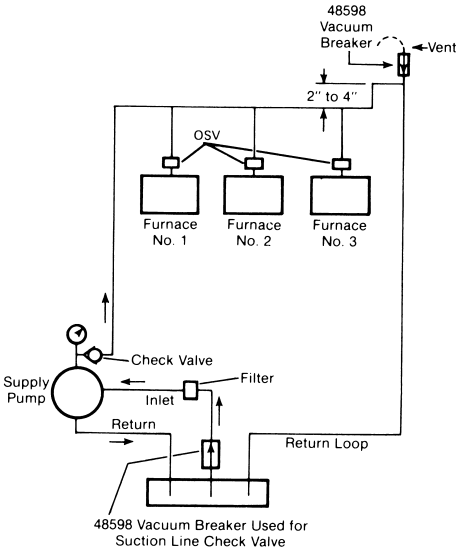
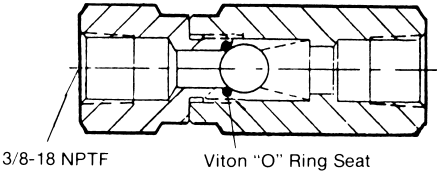


VACUUM BREAKER (48598)

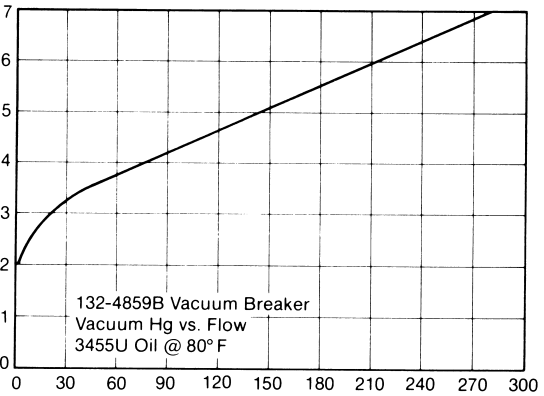
Incorporates Viton "O" Ring seat, 3/8-18 NPTF ports.
Can be used as a suction line check valve.



INSTALLATION DATA



Inches
Mercury
Hg



Flow in gph